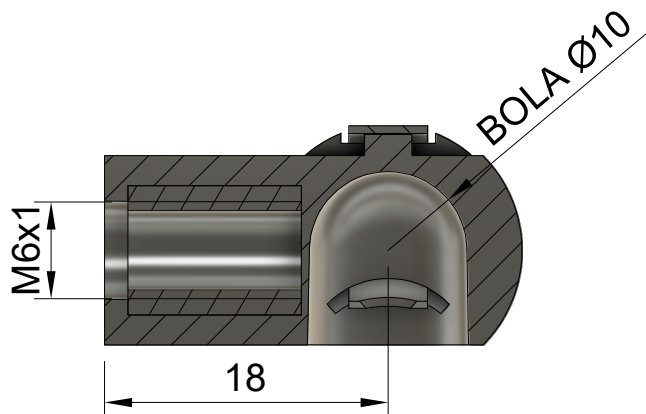
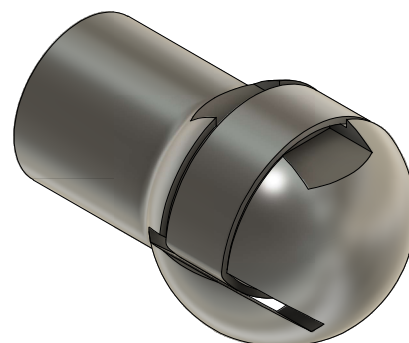
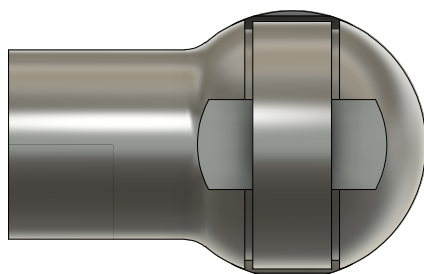



B-B (2:1)



A-A (2:1)



Dept.	Technical reference	Created by OT Alontec 17/03/2024	Approved by Blas Alonso	
		Document type	Document status	
		Title ROTULA POLIAMIDA M6 / L18 / BOLA Ø10	DWG No. 602010	
		Rev. 00	Date of issue	Sheet 2/1