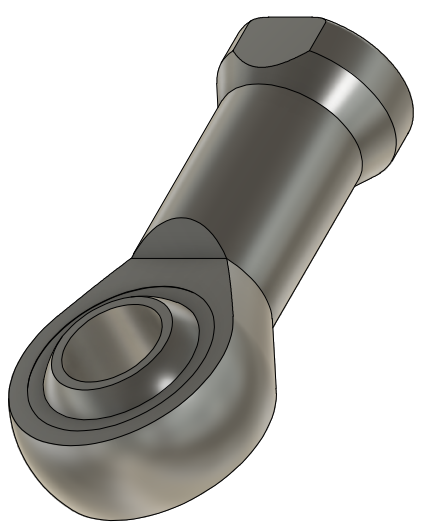



A-A (1:1)



Dept.	Technical reference	Created by	Approved by
		OT Alontec	Bias Alonso
		24/03/2024	24/03/2024
		Document type	Document status
		Title	DWG No.
		ROTULA OJO MOVIL	605310
		M14 / Ø14 / L57	
Rev.	Date of issue	Sheet	
00		1/1	