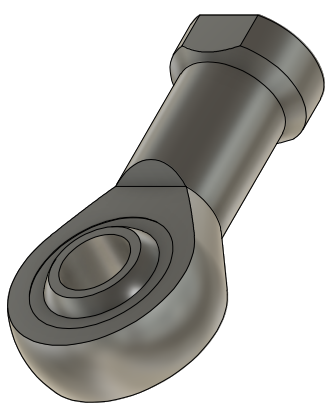



M10x1.5

A-A (1:1)



Dept.	Technical reference	Created by	Approved by
		OT Alontec	Bias Alonso
		24/03/2024	24/03/2024
	Document type	Document status	
		Title	DWG No.
		ROTULA OJO MOVIL	605210
		M10 / Ø10 / L43	
Rev.	Date of issue	Sheet	
00		1/1	