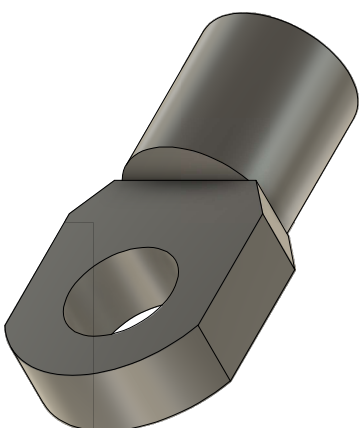
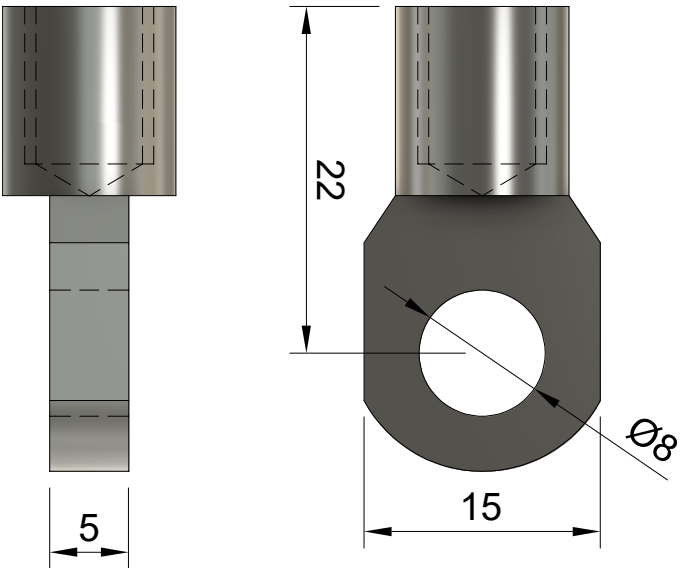



M8x1.25



Dept.	Technical reference	Created by	OT Alontec	23/03/2024	Approved by	Bias Alonso	23/03/2024
		Document type			Document status		
		Title	TERMINAL OJO M8 / Ø8 / L22 / E5		DWG No.	600110	
		Rev.	00	Date of issue		Sheet	2/1